

UNDER DEVELOPMENT

Type: CDRH12D58R

◆ **Product Description**

- 12.4 × 12.4mm Max.(L×W), 6.0mm Max. Height.
- Inductance range: 10 μ H ~ 1.0mH.
- Rated current range: 0.48 ~ 5.9A
- In addition to the standard versions of inductors shown here, custom inductors are available to meet your exact requirements.

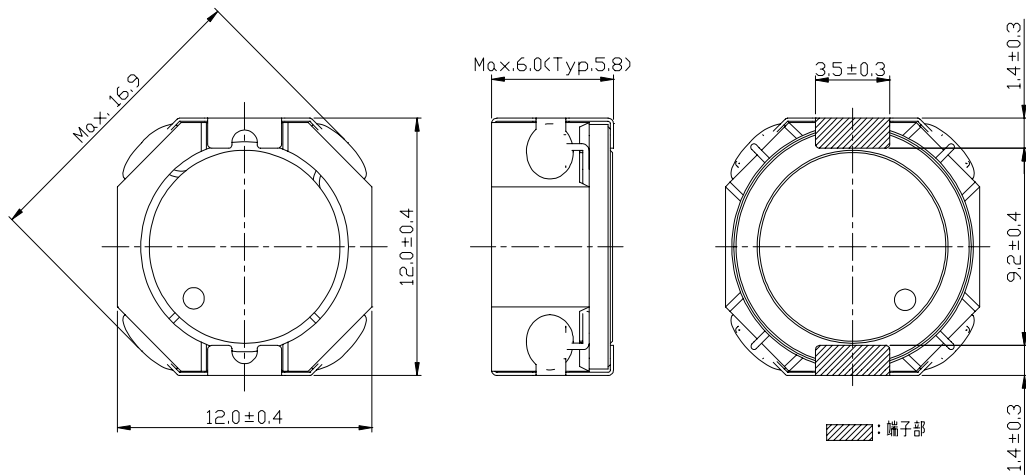


◆ **Feature**

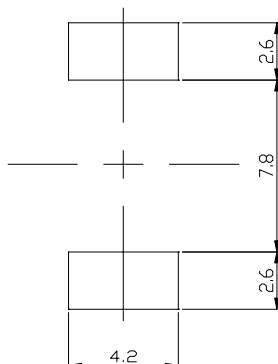
- Magnetically shielded construction.
- Ideally used in Notebook PC, LCD TV, portable DVD, Game machine, STB, etc as DC-DC Converter inductors.
- RoHS Compliance

◆ **Dimensions**

(mm)



◆ **Land Pattern (mm)**



Type: CDRH12D58R

UNDER DEVELOPMENT

◆ Specification

Part Name ※	Stamp	Inductance [Within] 100kHz/1V	D.C.R.(mΩ) Max.(Typ.) (at 20°C)	Saturation Current (A) ※1		Temperature Rise current (A) ※2
				(at20°C)	(at105°C)	
CDRH12D58RNP-100M□	100	10 μ H±20%	16.3(13)	7.20	4.70	5.90
CDRH12D58RNP-150M□	150	15 μ H±20%	28.8(23)	5.50	3.60	4.60
CDRH12D58RNP-220M□	220	22 μ H±20%	38.8(31)	4.70	3.10	3.75
CDRH12D58RNP-330M□	330	33 μ H±20%	53.8(43)	3.70	2.40	2.95
CDRH12D58RNP-470M□	470	47 μ H±20%	73.8(59)	3.15	2.10	2.40
CDRH12D58RNP-680M□	680	68 μ H±20%	102.5(82)	2.65	1.75	2.00
CDRH12D58RNP-101M□	101	100 μ H±20%	156.3(125)	2.25	1.50	1.61
CDRH12D58RNP-151M□	151	150 μ H±20%	230.0(184)	1.80	1.20	1.36
CDRH12D58RNP-221M□	221	220 μ H±20%	338.8(271)	1.45	1.00	1.09
CDRH12D58RNP-331M□	331	330 μ H±20%	452.5(362)	1.22	0.80	0.84
CDRH12D58RNP-471M□	471	470 μ H±20%	666.3(533)	1.01	0.66	0.78
CDRH12D58RNP-681M□	681	680 μ H±20%	960.0(768)	0.86	0.56	0.62
CDRH12D58RNP-102M□	102	1mH±20%	1453(1163)	0.69	0.46	0.48

※ Description of part name

CDRH12D58RNP-100M□

└──	B	Box
└──	C	Carrier Tape

※1. Saturation current: The DC current at which the inductance decreases to 65% of its nominal value.

※2. Temperature rise current: The DC current at which the temperature rise is Δt=40°C.(Ta=20°C).