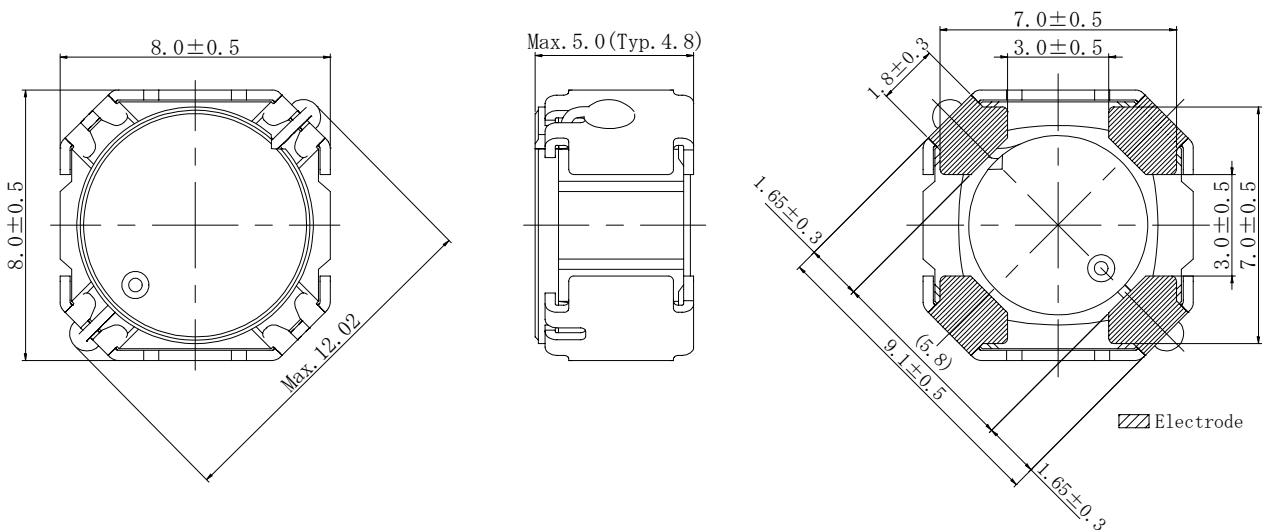
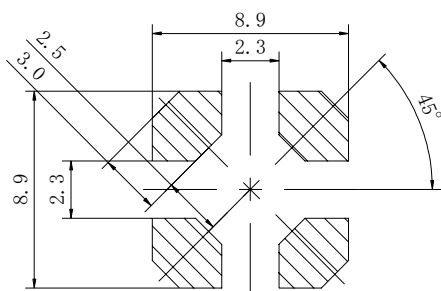
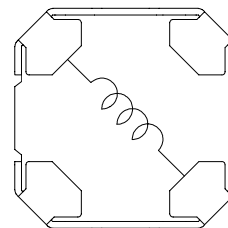


Type: CDRH8D48/A
◆ Product Description

- 8.5×8.5mm Max. (L×W) , 5.0 mm Max. Height.
- Inductance Range: 10~150 μ H
- Rated current range: 0.58~2.26A.
- In addition to the standards versions shown here, custom inductors are also available to meet your exact requirements.


◆ Feature

- Magnetically shielded construction.
- High reliable inductors, suitable to use in high temperature environment (125°C).
- Ideally for automotive applications as converter inductors.
- RoHS Compliance.

◆ Dimensions (mm)

◆ Land Pattern (mm)

◆ Schematics (Bottom)


Type: CDRH8D48/A
◆ Specification

Part Name ※	Stamp	Inductance (μ H) [Within] 100kHz/1V	D.C.R.(m Ω) Max.(Typ.) (at 20°C)	Rated current (A)(at 125°C) ※1
CDRH8D48/ANP-10 \emptyset M□	100	10 \pm 20%	38(30)	2.26
CDRH8D48/ANP-12 \emptyset M□	120	12 \pm 20%	50(40)	1.87
CDRH8D48/ANP-15 \emptyset M□	150	15 \pm 20%	63(50)	1.62
CDRH8D48/ANP-18 \emptyset M□	180	18 \pm 20%	75(60)	1.58
CDRH8D48/ANP-22 \emptyset M□	220	22 \pm 20%	88(70)	1.45
CDRH8D48/ANP-27 \emptyset M□	270	27 \pm 20%	106(85)	1.33
CDRH8D48/ANP-33 \emptyset M□	330	33 \pm 20%	125(100)	1.20
CDRH8D48/ANP-39 \emptyset M□	390	39 \pm 20%	156(125)	1.06
CDRH8D48/ANP-47 \emptyset M□	470	47 \pm 20%	188(150)	1.00
CDRH8D48/ANP-56 \emptyset M□	560	56 \pm 20%	238(190)	0.89
CDRH8D48/ANP-68 \emptyset M□	680	68 \pm 20%	275(220)	0.82
CDRH8D48/ANP-82 \emptyset M□	820	82 \pm 20%	312(250)	0.73
CDRH8D48/ANP-101M□	101	100 \pm 20%	394(315)	0.70
CDRH8D48/ANP-121M□	121	120 \pm 20%	438(350)	0.63
CDRH8D48/ANP-151M□	151	150 \pm 20%	580(465)	0.58

※ Description of Part Name

 CDRH8D48/ANP-10 \emptyset M□

- B Box
- C Carrier Tape

※1 Rated current: The DC current at which the inductance decreases to 65 % of it's nominal value or when $\Delta t=30^{\circ}\text{C}$, whichever is lower ($T_a=125^{\circ}\text{C}$).